

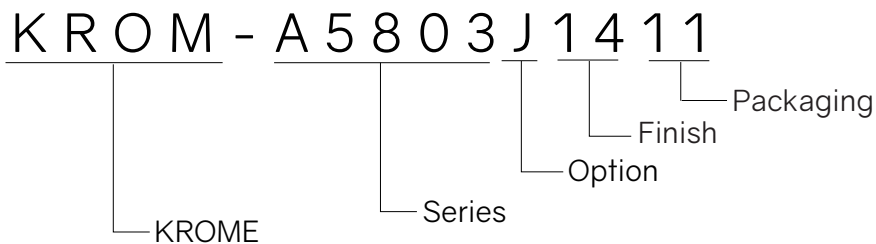
### A58/7803 SERIES THUMB TURN CAM



#### SPECIFICATIONS

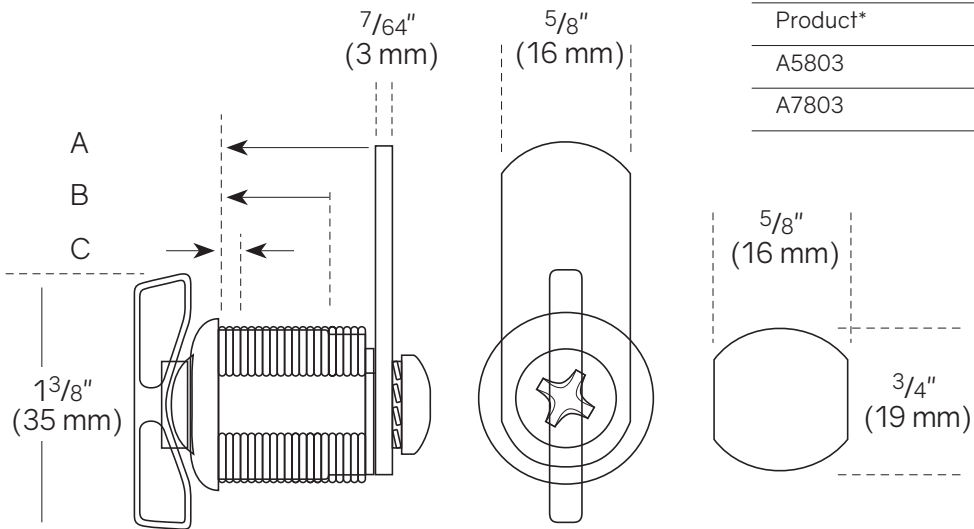
- **Keying**
  - None
- **Finish**
  - Nickel (14)

#### HOW TO ORDER



Item Series	Option	Finish	Packaging
<ul style="list-style-type: none"> <li>•A5803</li> <li>•A7803</li> </ul>	<ul style="list-style-type: none"> <li>•Full Thread Shell (J)</li> <li>•Full Thread Shell (J)</li> </ul>	<ul style="list-style-type: none"> <li>•Nickel (14)</li> <li>•Nickel (14)</li> </ul>	<ul style="list-style-type: none"> <li>•Poly Bagged (11)</li> <li>•Poly Bagged (11)</li> </ul>

## TECHNICAL DIMENSIONS



DIMENSIONS

Product*	A	B	C
A5803	$\frac{5}{8}"$ (16 mm)	$\frac{1}{2}"$ (13 mm)	.135
A7803	$\frac{7}{8}"$ (22 mm)	$\frac{3}{4}"$ (19 mm)	.135