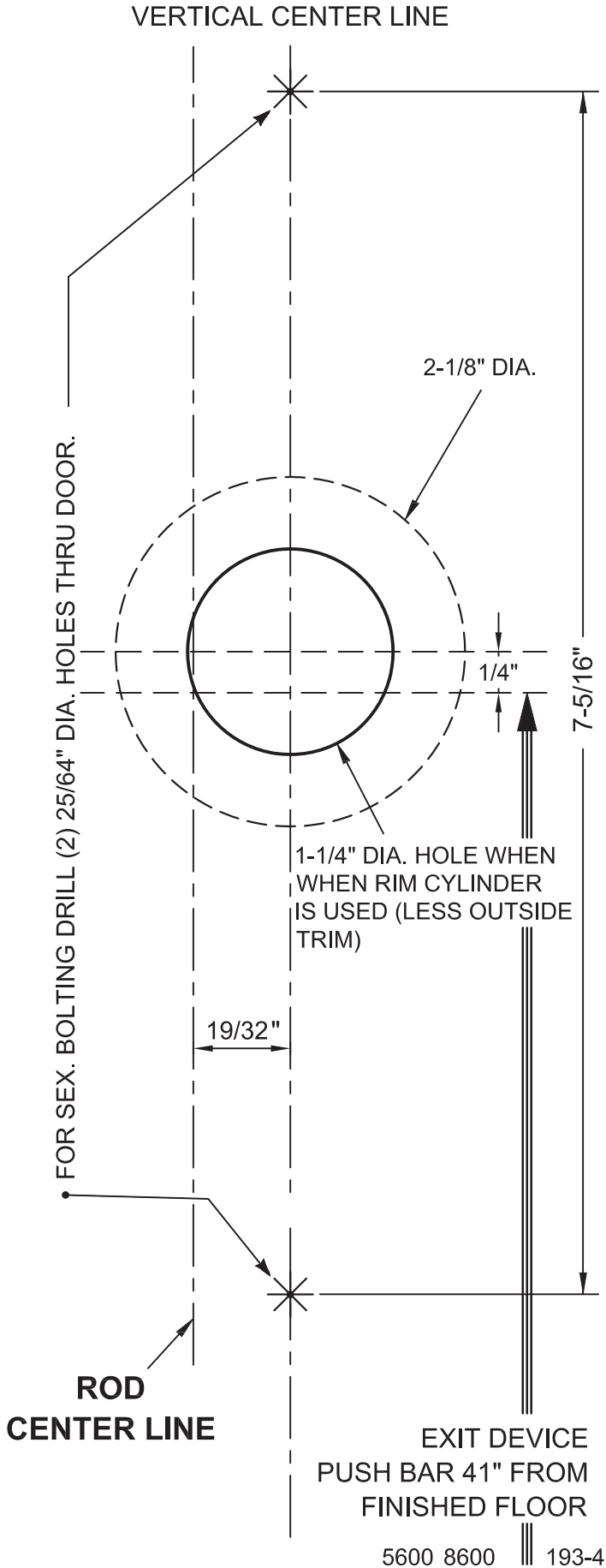


TEMPLATE

RIM TYPE AND VERTICAL ROD TYPE EXIT DEVICES HOLE LOCATIONS. SIZE AND TYPE INDICATED ON TEMPLATE



TEMPLATE

RIM TYPE AND VERTICAL ROD TYPE EXIT DEVICES TRIM HOLE LOCATIONS.

