

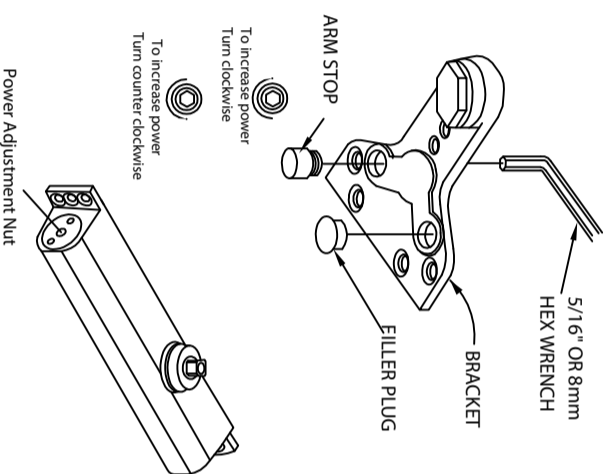
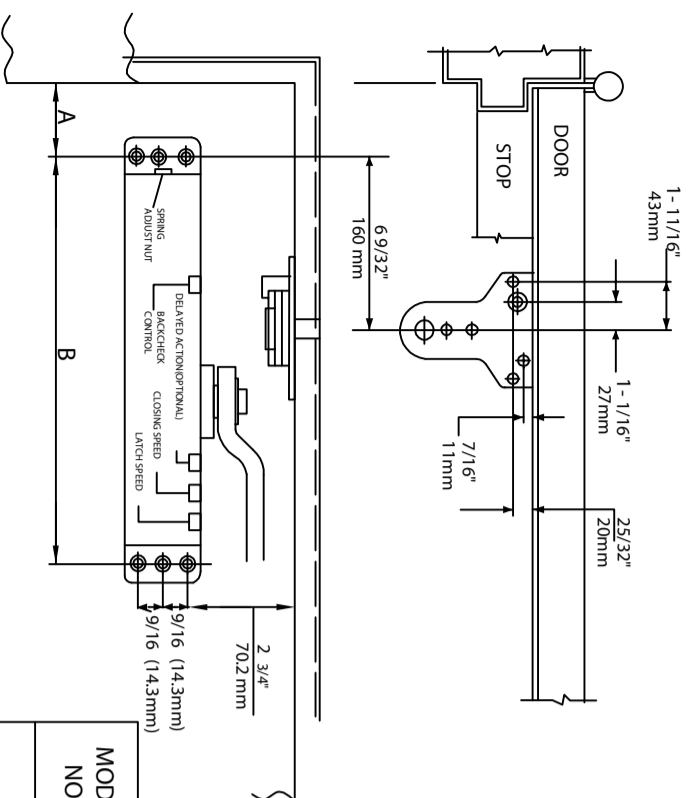
KROME

911DA DOOR CLOSER

INSTALLATION INSTRUCTION

Cush Stop Arm(A911CSA), Cush Hold Open Arm(A911CSAHO)

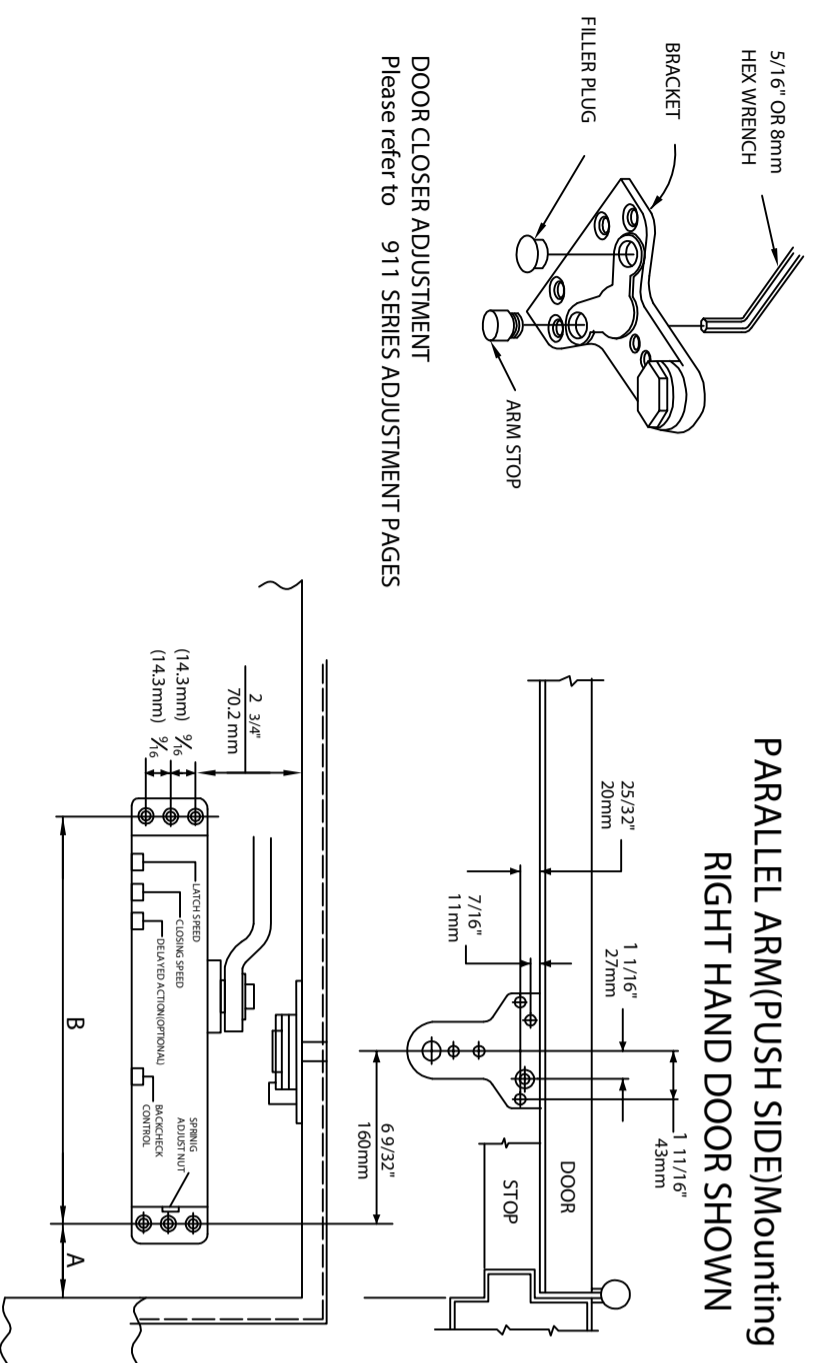
PARALLEL ARM(PUSH SIDE)Mounting LEFT HAND DOOR SHOWN



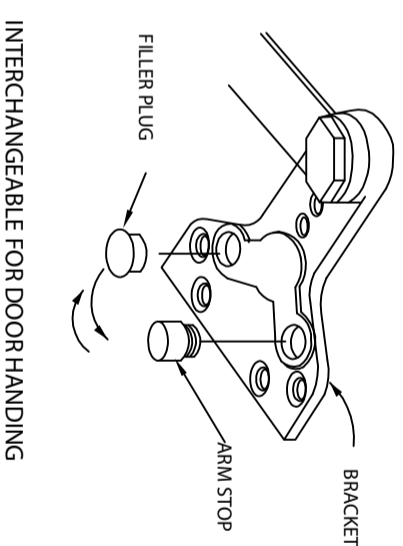
DOOR CLOSER ADJUSTMENT Please refer to 9 11 series ADJUSTMENT PAGES

MODEL NO.	OPENING	DIMENSION	
		A	B
911DA	To 120°	3- 15/16" (100)	11- 1/8" (282.5)
	121°-180°	2" (50.8)	11- 1/8" (282.5)

PARALLEL ARM(PUSH SIDE)Mounting RIGHT HAND DOOR SHOWN



DOOR CLOSER ADJUSTMENT Please refer to 911 SERIES ADJUSTMENT PAGES



INTERCHANGEABLE FOR DOOR HANDING

The hand must be determined & changed if necessary before the bracket is mounted to the door stop(top jamb). Refer to page 1.

FOR LEFT HAND DOORS
All brackets are shipped assembled for LEFT HAND DOOR. Insert 5/32" (4mm) hex wrench into ARM STOP and Turn clockwise to seat as tightly as possible.
Push filler plug in firmly.

FOR RIGHT HAND DOORS
Pull filler plug out of bracket
Use a 5/32" (4mm) hex wrench, Turn ARM STOP counter-clockwise to remove from bracket insert hole. Turn hex wrench clockwise to seat ARM STOP as tightly as possible.
Push filler plug into other hole.

INSTALLATION SEQUENCE

LEFT HAND DOOR SHOWN - RIGHT HAND DOOR OPPOSITE INSTALLATION INSTRUCTIONS

CAUTION
IMPROPER INSTALLATION OR REGULATION
MAY RESULT IN PERSONAL INJURY OR
PROPERTY DAMAGE.FOLLOW ALL
INSTRUCTIONS CAREFULLY.

1. Using template dimensions shown above. Mark FOUR (4) HOLES ON DOOR for door closer and THREE (4) HOLES ON FRAME for parallel bracket.
2. Mount closer on door using screws provided. SPEED ADJUSTING VALVE MUST BE POSITIONED AWAY FROM HINGE EDGE
3. Adjusting spring power to match door width as indicated by Power Adjustment Chart shown on 911 SERIES INSTALLATION INSTRUCTION SHEET.
4. Mount bracket on door stop according to dimensions shown on page 1

IMPORTANT REMARKS

DO NOT allow door to slam into frame.
A normal standard closing time from 90° open position is 5 to 7 seconds evenly divided between main closing (Sweep) speed and latching speed. Adjust the CLOSING First, then adjust the LATCHING speed.
For slower closing speed of door, turn adjusting valve clockwise or counter-clockwise for faster speed.
Latching speed control of door is the same as closing speed adjustment.

ADJUSTABLE BACKCHECK FUNCTION

This function is essential to proper operation of HEAVY DUTY ARM W/ DEAD STOP. Use enough to prevent arm from striking stop with impact. See page 1.

ATTACH COVER.

Install cover securely using screws provided.

HOW TO HOLD - OPEN

A quarter turn on the HOLD-OPEN CONTROL HANDLE engages or disengages hold - open.

