

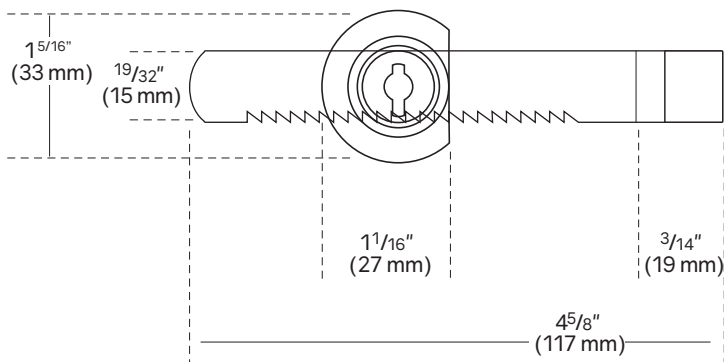
247 SERIES SHOWCASE LOCKS



SPECIFICATIONS

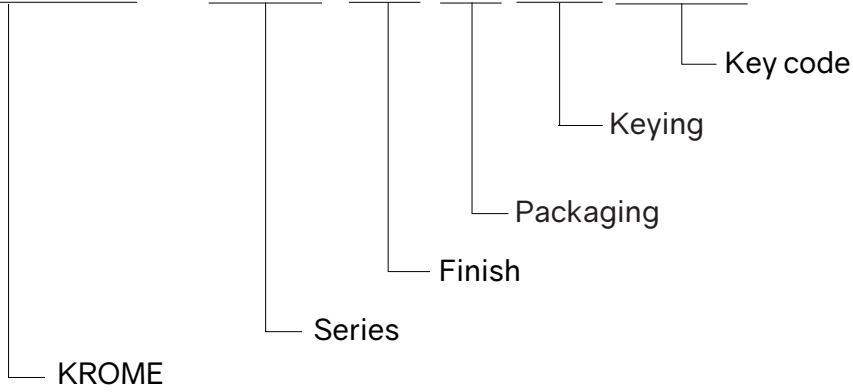
- **Specifications**
 - Ideal for show cases and cabinets where two sliding surfaces are to be locked.
 - Fits on 1/8" (3 mm) to 3/8" (9 mm) sliding door surfaces.
 - Nylon attaching screw fixes the lock in place on the sliding door surface.
- **Keying**
 - N54G Brass Milled Key
 - Up to 200 Combinations
 - 5 Brass Disc Tumblers
 - Keyed Alike (KA)
 - Keyed Different (KD)
 - Master Keyed (MK)
 - 1054UN Keyway Optional
- **Finish**
 - Nickel (14)
- **Numbering**
 - Key blank standard

TECHNICAL DIMENSIONS



HOW TO ORDER

K R O M - 2 4 7 1 4 1 1 K A 5 4 9



Item Series	Finish	Packaging	Keying	Key Code
247	Nickel (14)	Poly Bagged (11)	Keyed Alike (KA)	Keyed Alike (549) Keyed Alike (560) Keyed Alike (566)
			Keyed Different (KD)	