

GRADE 1 HEAVY DUTY KNOB LOCKSET

Universal Turn Button
or Push In & Turn Button

Meet ANSI hollow metal and wooden door cutout
1-3/8" (35MM) - 2" (52mm) door thickness
Door range indicator marked on cover

Wrought brass or bronze Ø 70 rose
Spin-on rose type flat design only



Wrought brass, bronze Ø 56 knob

Stainless Steel 17/32" (13.5mm) throw
deadlatch & spring latch
Reversible latch for flat & beveled door

UL Label
UL 3 Hour fire rated

Precision solid brass pin
tumbler cylinders with brass keys
Schlage "C" Keyway



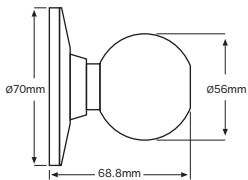
SPECIFICATIONS

- **Certifications:**
 - ANSI/BHMA A156.2 Series 4000, Grade 1 strength, operational and 1,000,000 cycles requirements
 - UL/cUL Listed
 - UL 10C 3 hours fire rating
- **Door Thickness:** 1-5/8" (40mm) to 2" (52mm)
- **Backset:** 2-3/4" (70mm) standard, 2-3/8" (60mm) optional
- **Latch Front:** 1-1/8" (29mm) x 2-1/4" (57mm)
- **Latch Bolt:** Stainless Steel 17/32" (13.5mm) throw
- **Strike:** ANSI (ASA) curved lip strike standard.
- **Cylinder & Keys:** Precision solid brass pin tumbler cylinders with nickel silver brass 2 keys. Schlage "C" keyway
- **Limited Warranty:** Seven-year Mechanical
- **Flexibility:**
 - Large selection of functions available
 - Easy to adjust the door thickness range by indicator

TECHNICAL DIMENSIONS

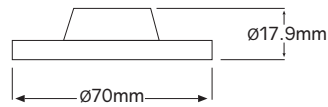
Knob Design:

Knob (B)

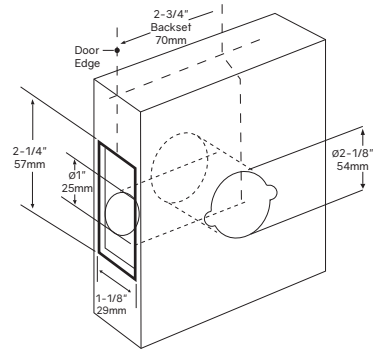


Rose Design:

Flat Rose (F)

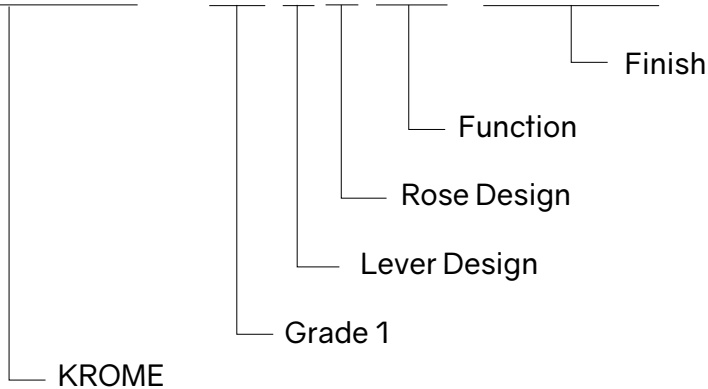


Door Preparation:



HOW TO ORDER

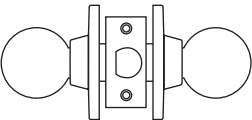
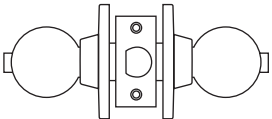
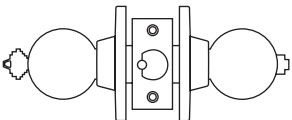
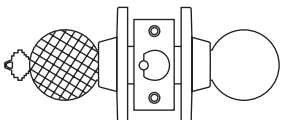
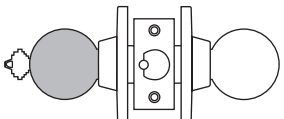
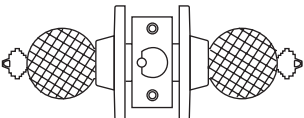
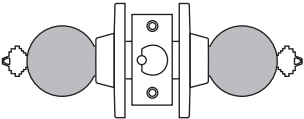
K R O M - 1 1 B F 5 3 C 2 6 D



Item Number	Rose	Function	Finish
11B	Flat (F)	Passage (10) Privacy (40) Entry (53) Classroom (70) Classroom Double (72) Storeroom (80) Storeroom Double (82)	Satin Chrome (C26D)

Note: Default Schlage Keyway

FUNCTIONS

Outside	Inside	Type	ANSI	Function Description
		Passage (10)	HF 75	<ul style="list-style-type: none"> Latchbolt by knob either side Both knobs always free
		Privacy Bedroom or Bathroom (40)	HF 76	<ul style="list-style-type: none"> Latchbolt by knob either side Outside knob locked by push button Outside knob unlocked by emergency release tool outside by rotating inside knob or by closing door
		Entrance or Office (53)	HF 81	<ul style="list-style-type: none"> Guard bolt deadlocks latchbolt Latchbolt by either knob unless outside knob is locked by turn button in inside knob Push/ turn button must be released manually Key retracts latchbolt when outside knob is locked
		Classroom (70)	HF 84	<ul style="list-style-type: none"> Deadlocking latchbolt by knob either side, except when key outside locks outside knob Outside knob unlocked by key outside Inside knob always free
		Storeroom (80)	HF 86	<ul style="list-style-type: none"> Entrance by key only Outside knob always rigid Inside knob always free
		Communicating Double Classroom (72)	HF 88	<ul style="list-style-type: none"> Key in either knob locks or unlocks its own knob independently.
		Communicating Double Storeroom (82)	HF 87	<ul style="list-style-type: none"> Both knobs always rigid Deadlocking latchbolt by key either side